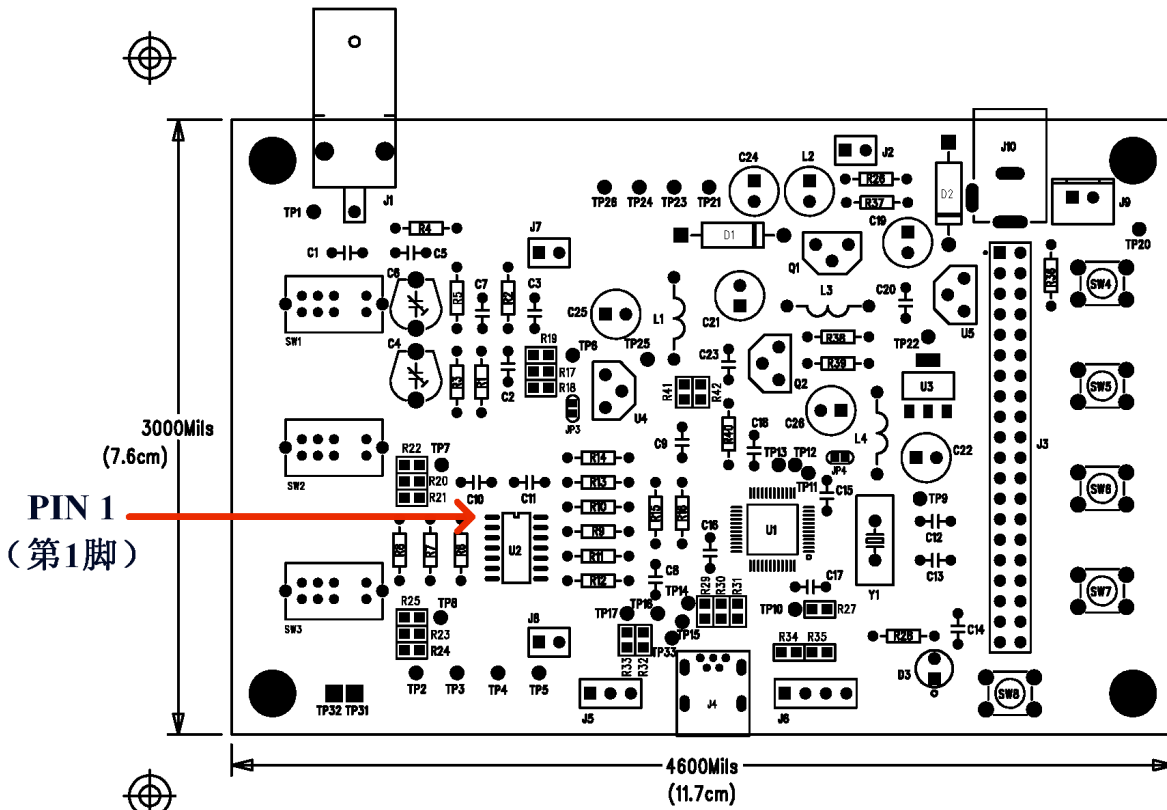
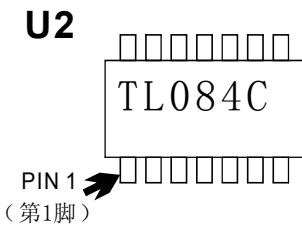


Type	Part Number	Descriptions (型号规格)	Qty	Loc/Ref (位置/标号)	Remarks
Resistor		10K, 0805	6	R17, R20, R23, R34, R35, R41	
Resistor		3.3K, 0805	3	R18, R21, R24	
Resistor		1.5K, 0805	4	R19, R22, R25, R31	
Resistor		1K, 0805	4	R27, R32, R33, R42	
Resistor		22, 0805	2	R30, R29	
IC		STM32F103C8, QFP-48	1	U1	Pre-soldered
IC		TL084, SO14	1	U2	
IC		LM1117-3.3, TO263	1	U3	



JYE TECH 109-13800-00C
 ASSEMBLY TOP OCT 2014
 ALL FILM ID VIEWED FROM TOP



How to identify pin 1 of U2

Place the IC in front of you so that its marking read from left to right. The first pin at lower-left is pin 1.

U2第1脚的识别

将IC顶部对着自己使上面的标识正读，左下方第一脚即为IC的第1脚。