

SPHE8202D

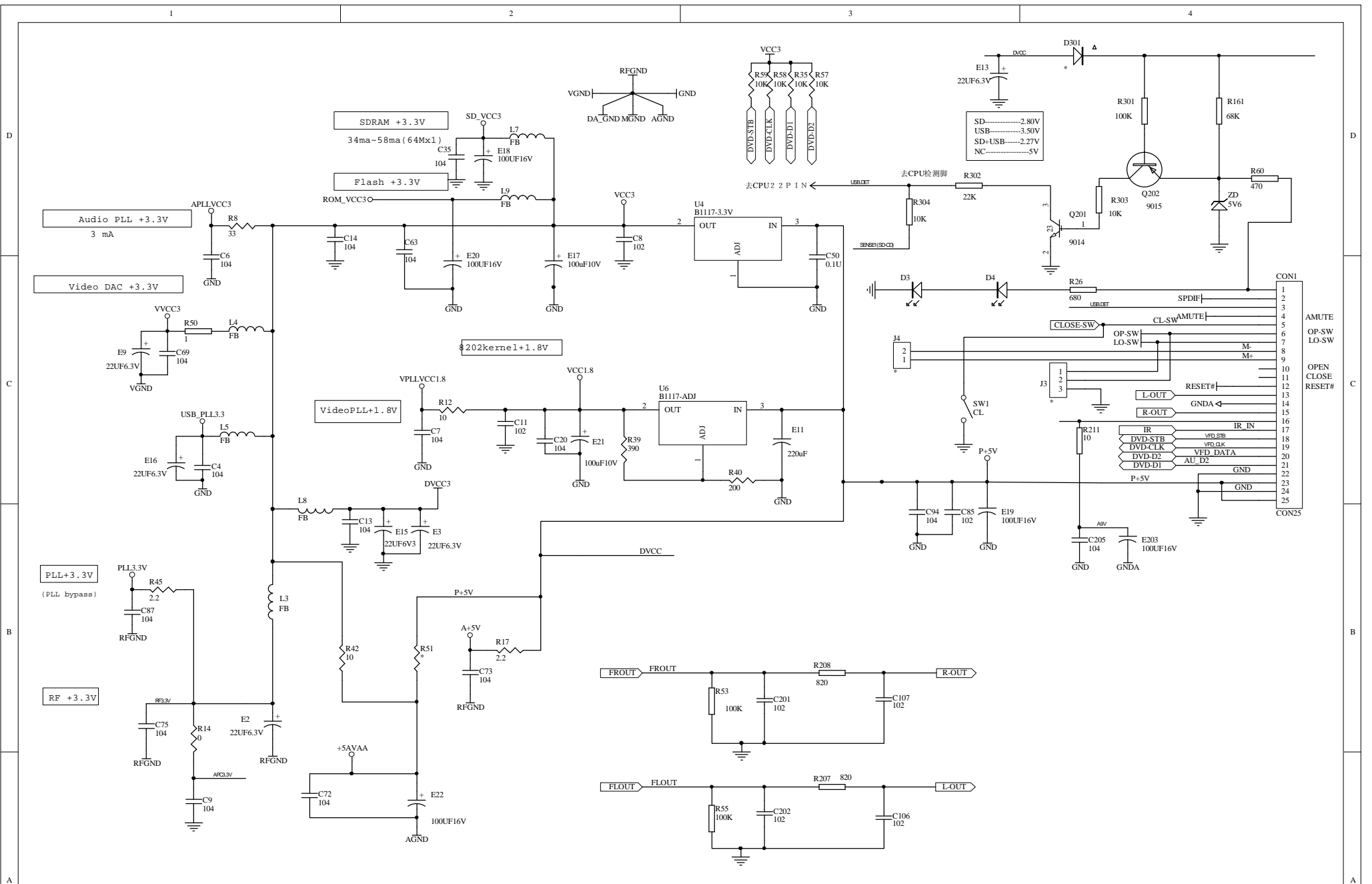
	R13	R19	R22	R18	R7	R8	R4	R6	R10	R30	R32	C15	C17
AT5660 & AT5665	0	NC	NC	0	1	1	1	1	0	22K	22K	330p	330p
AT5668	NC	0	0	NC	0	NC	0	NC	NC	NC	NC	NC	NC

	R201	R202	R203	R204
AT5660 & AT5665	0	NC	0	NC
AT5668	NC	0	NC	0

	R201	R202	R203	R204
AT5660 & AT5665	0	NC	0	NC
AT5668	NC	0	NC	0

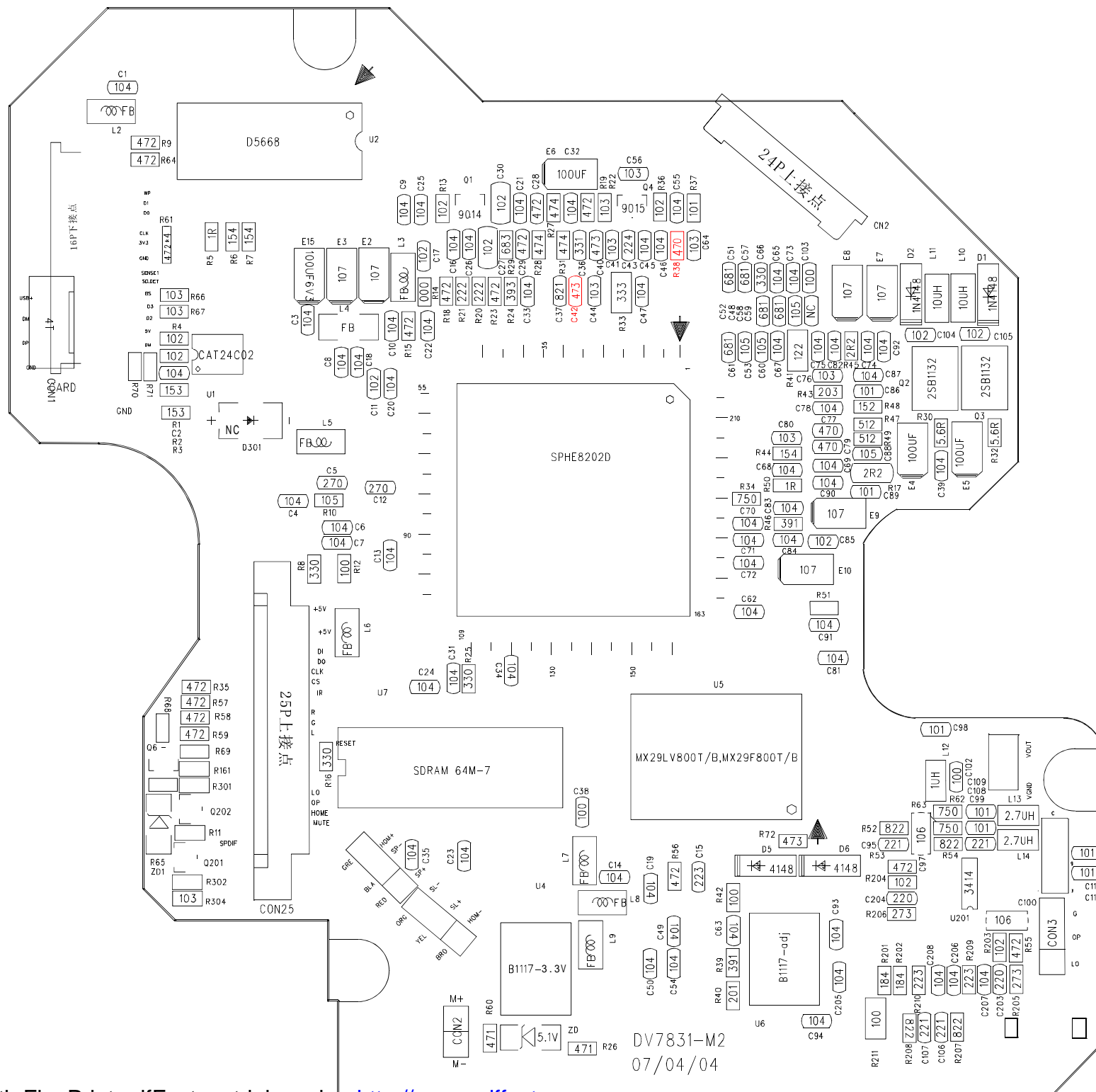
HOP1200W-SUNPLUS-8202D

Title		
SZ-HAOKE		
Rev	Number	Revision
01	1	
02	2	
03	3	
04	4	
05	5	
06	6	
07	7	
08	8	
09	9	
10	10	
11	11	
12	12	
13	13	
14	14	
15	15	



SZ-HAOKE
HOP1200W-SUNPLUS-8202D

Title		
Size	Number	Revision
Orcad C		
Date:	31-Aug-2006	Sheet of
File:	E:\protel99文件\SUNPLUS_SERVO\dwg\HOP1200W-SUNPLUS-8202D.DDB	2/0CH.DDB



DV7831-M2
07/04/04

