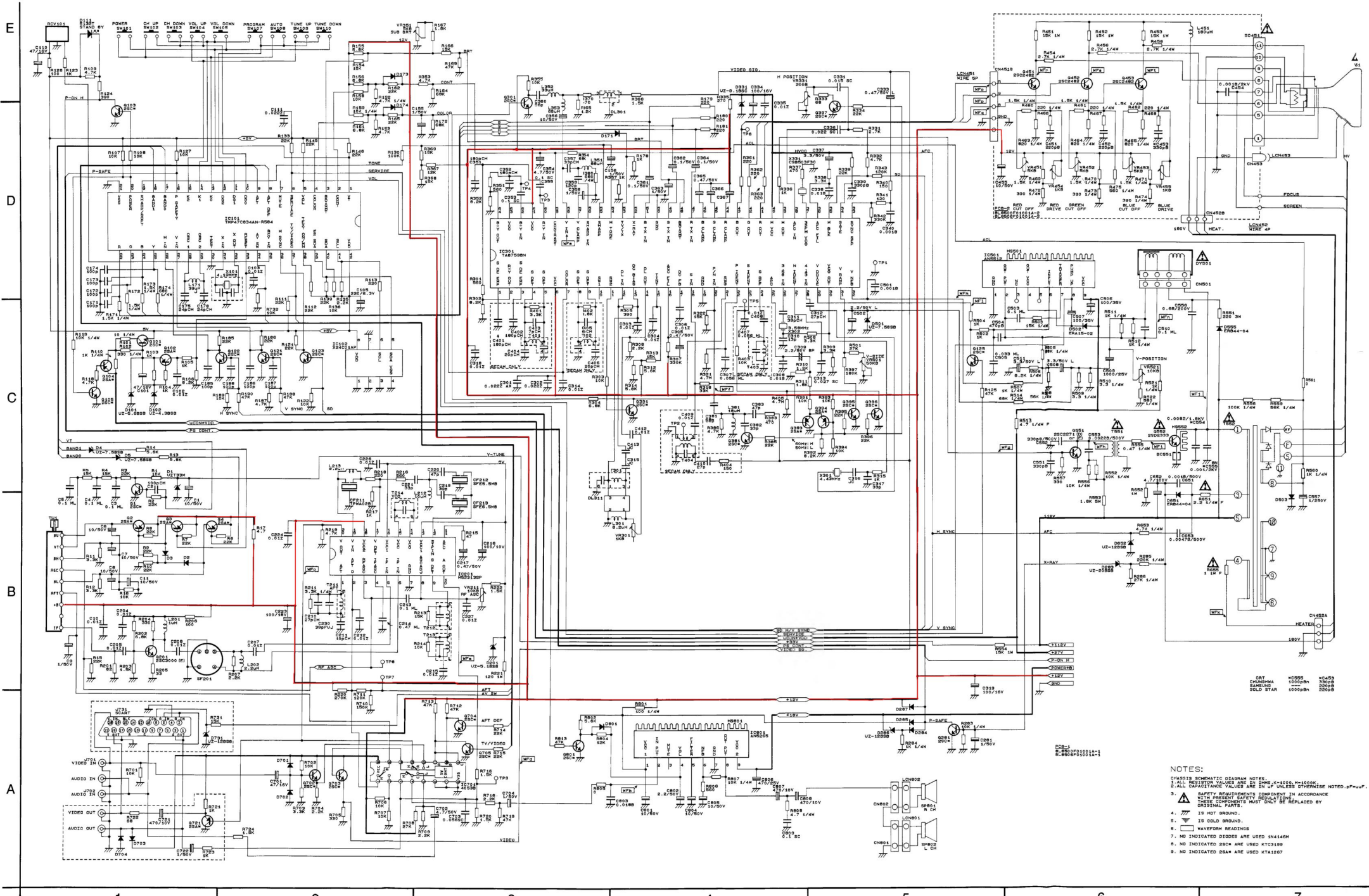


Main Schematic Diagram



- NOTES:
- CHARACTERISTIC DIAGRAM NOTES
 - ALL RESISTOR VALUES ARE IN OHMS UNLESS OTHERWISE NOTED. μ = MICRO
 - ALL CAPACITOR VALUES ARE IN P.F. UNLESS OTHERWISE NOTED. μ = MICRO
 - SAFETY REQUIREMENTS COMPLY IN ACCORDANCE WITH PRESENT SAFETY REGULATIONS UNLESS OTHERWISE NOTED. MUST ONLY BE REPLACED BY
 - IS HOT GROUND.
 - IS COLD GROUND.
 - WAVEFORM READINGS
 - NO INDICATED DISCS ARE USED UNLESS OTHERWISE NOTED.
 - NO INDICATED DISCS ARE USED UNLESS OTHERWISE NOTED.
 - NO INDICATED DISCS ARE USED UNLESS OTHERWISE NOTED.