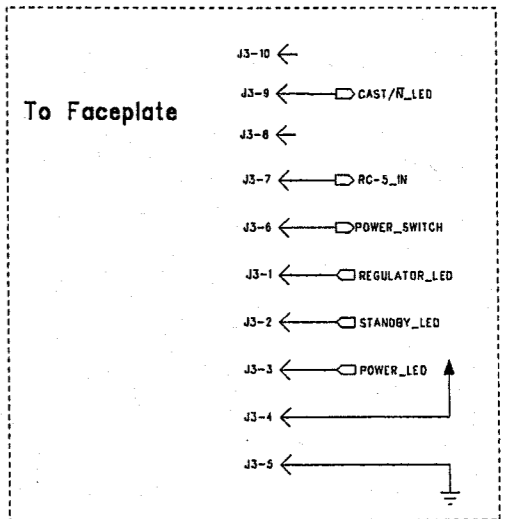
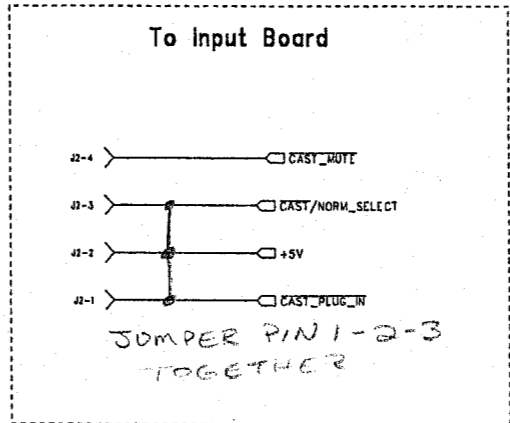
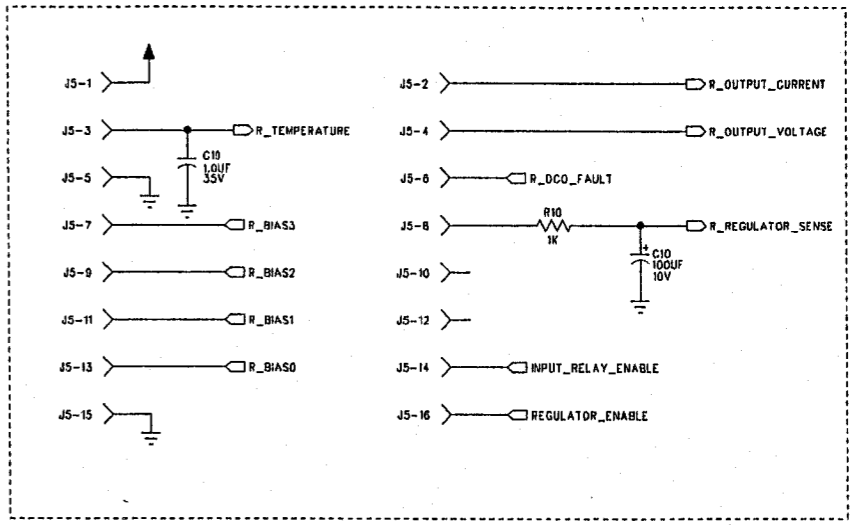
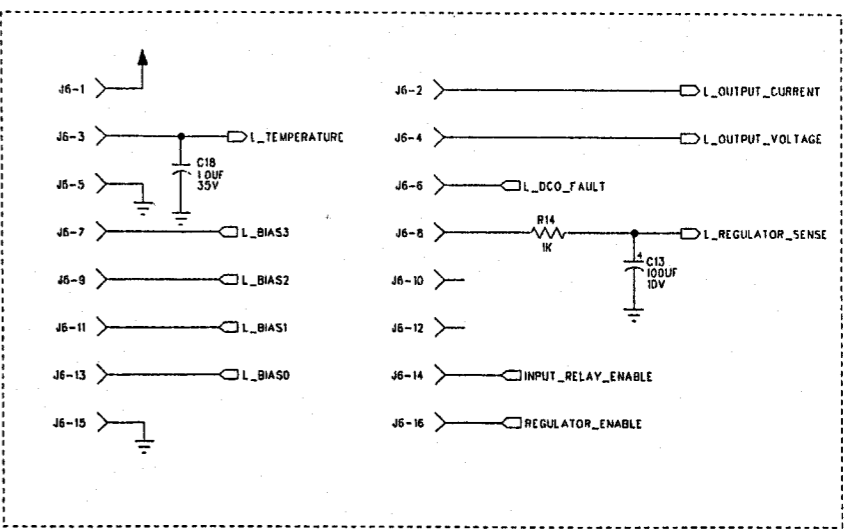
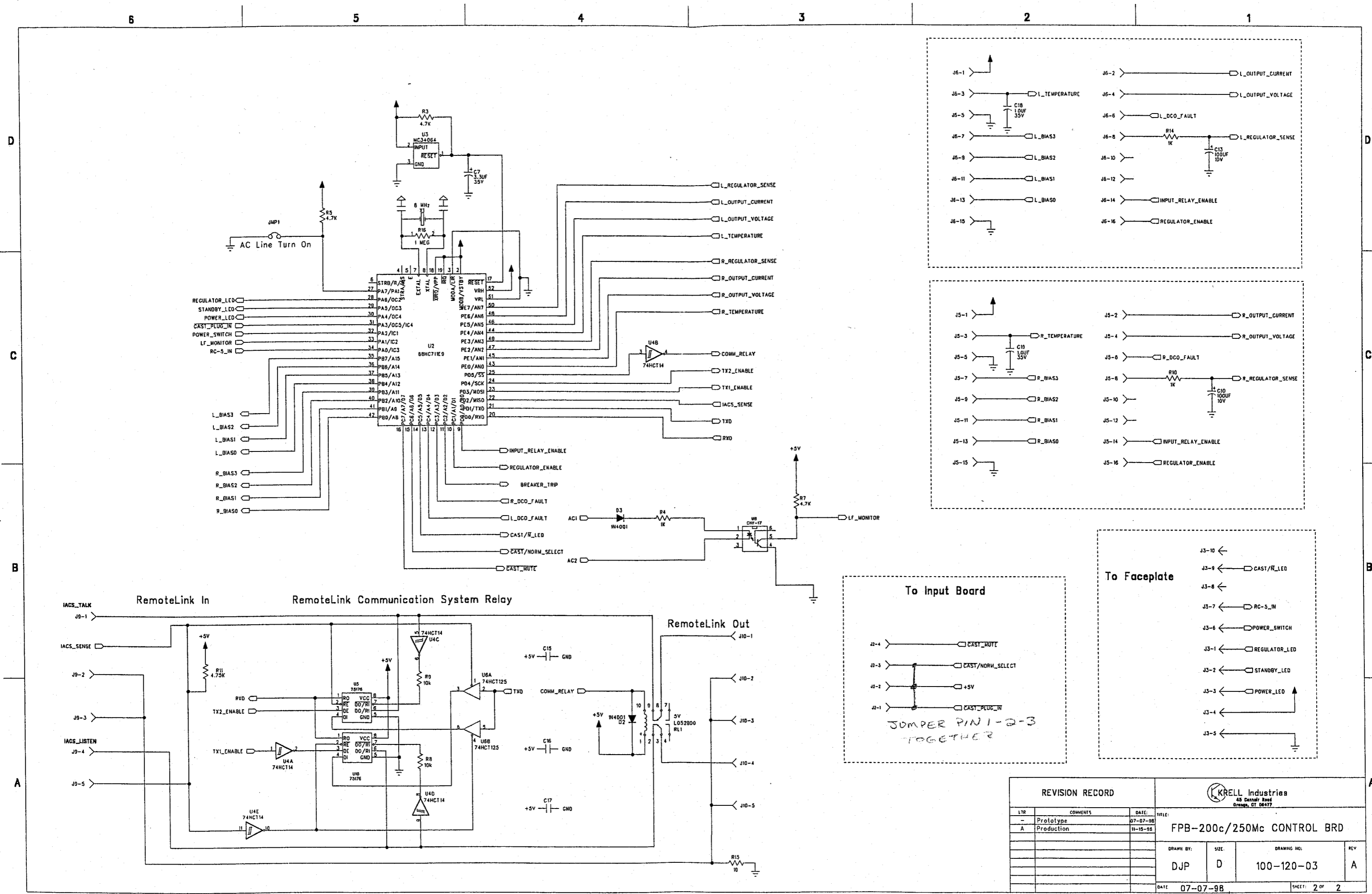


Rev.	Description	Date

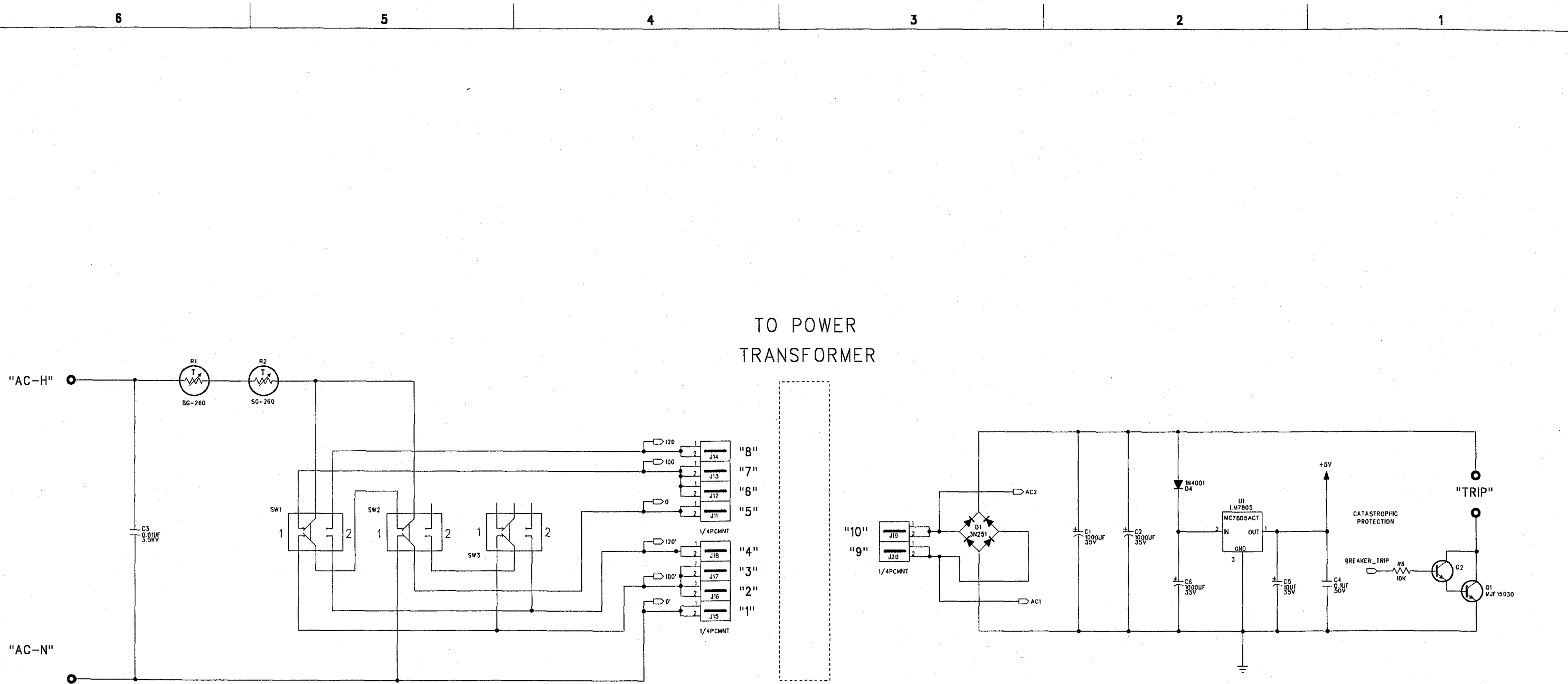
Rev.	Description	Date

Rev.	Description	Date

Rev.	Description	Date

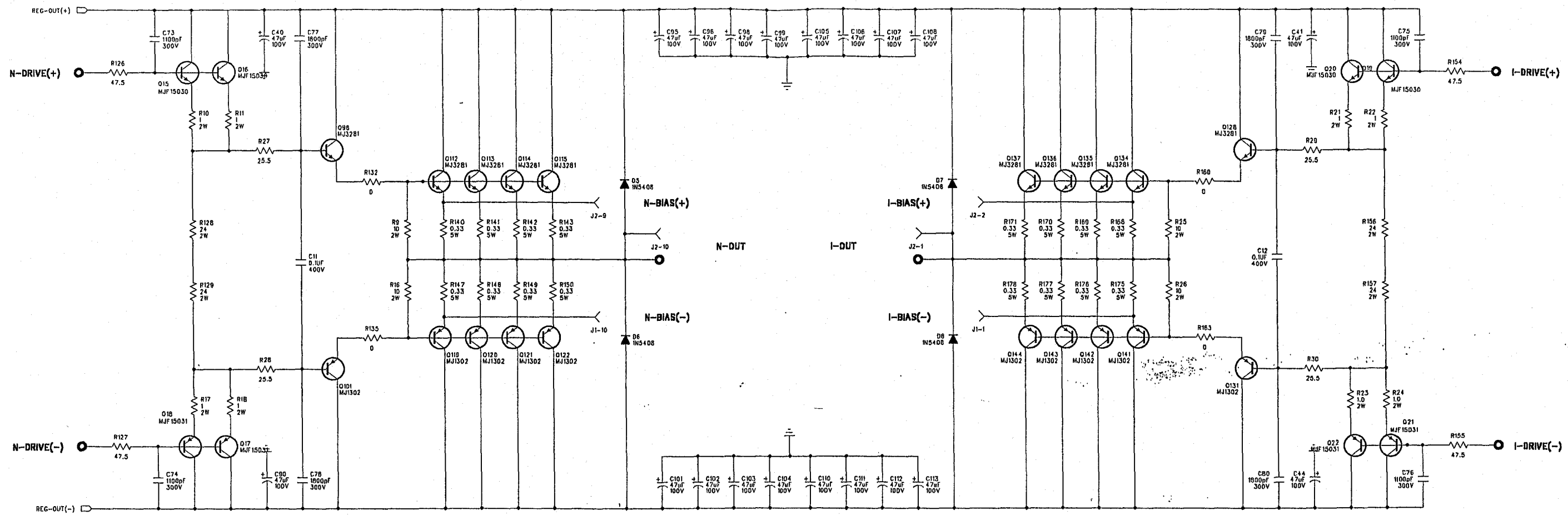


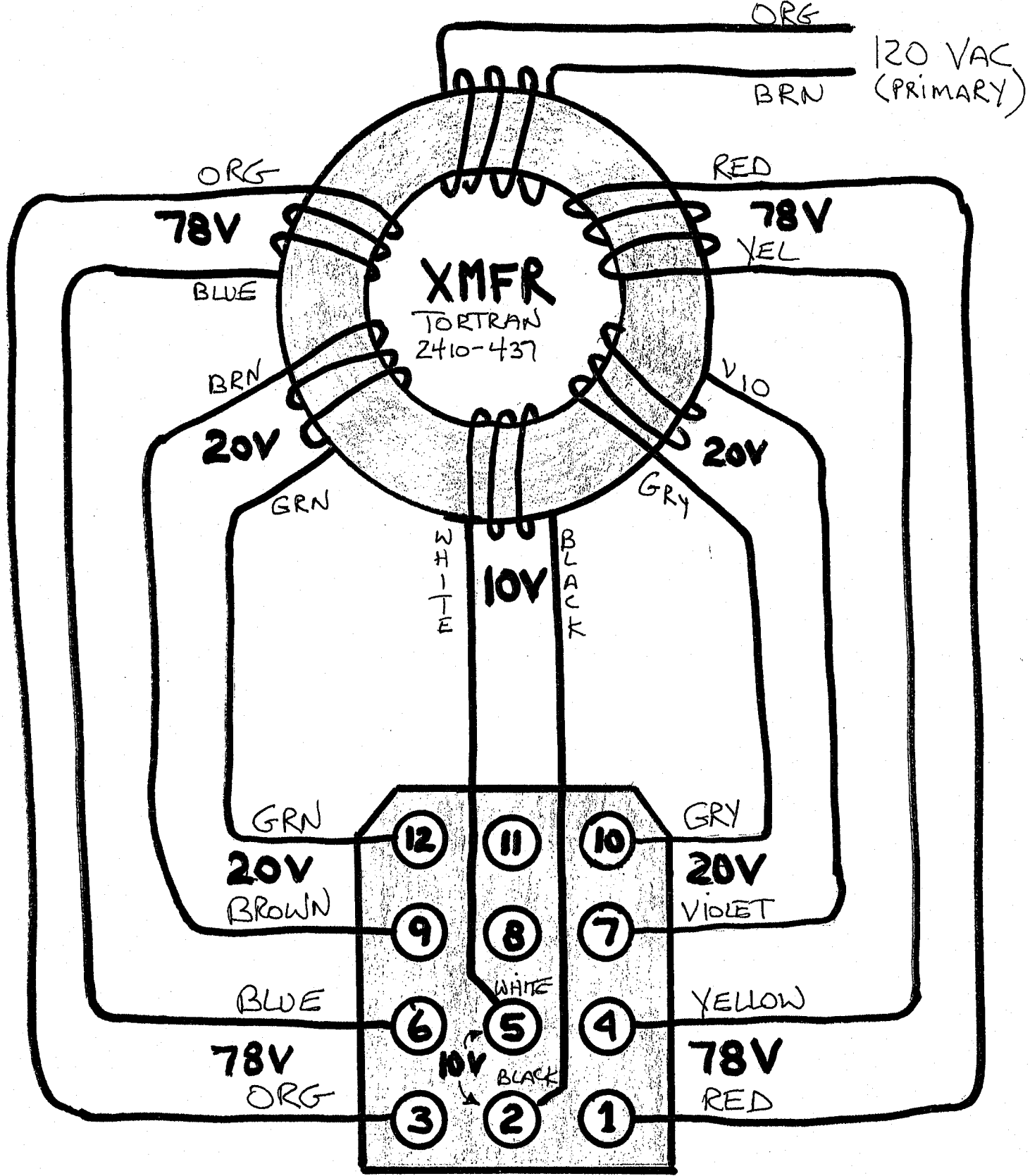
REVISION RECORD			KRELL Industries 45 Canal Road Orange, CT 06477	
LTR	COMMENTS	DATE	TITLE:	
-	Prototype	07-07-98	FPB-200c/250Mc CONTROL BRD	
A	Production	11-15-98		
			DRAWN BY:	REV
			DJP	A
			SIZE: D	DRAWING NO: 100-120-03
			DATE: 07-07-98	SHEET: 2 OF 2



VAC	"SW1"	"SW2"	"SW3"
100	1	1	X
120	2	1	X
200	1	2	1
220	2	2	1
220	1	2	2
240	2	2	2

REVISION RECORD			KRELL Industries 43 Constar Road Orange, CT 06477		
LTR	COMMENTS	DATE	TITLE:		
-	Prototype	07-07-88	FPB-200c/250Mc CONTROL BRD		
A	Production	11-15-88			
DRAWN BY:		SIZE:	DRAWING NO.:		REV.:
DJP		D	100-120-03		A
DATE: 07-07-88			SHEET: 1 OF 2		





PIN SIDE
(PINS FACING YOU)

VOLTAGES
 ARE
 Alternating
 CURRENT (AC)