

**Semiconductor Location**

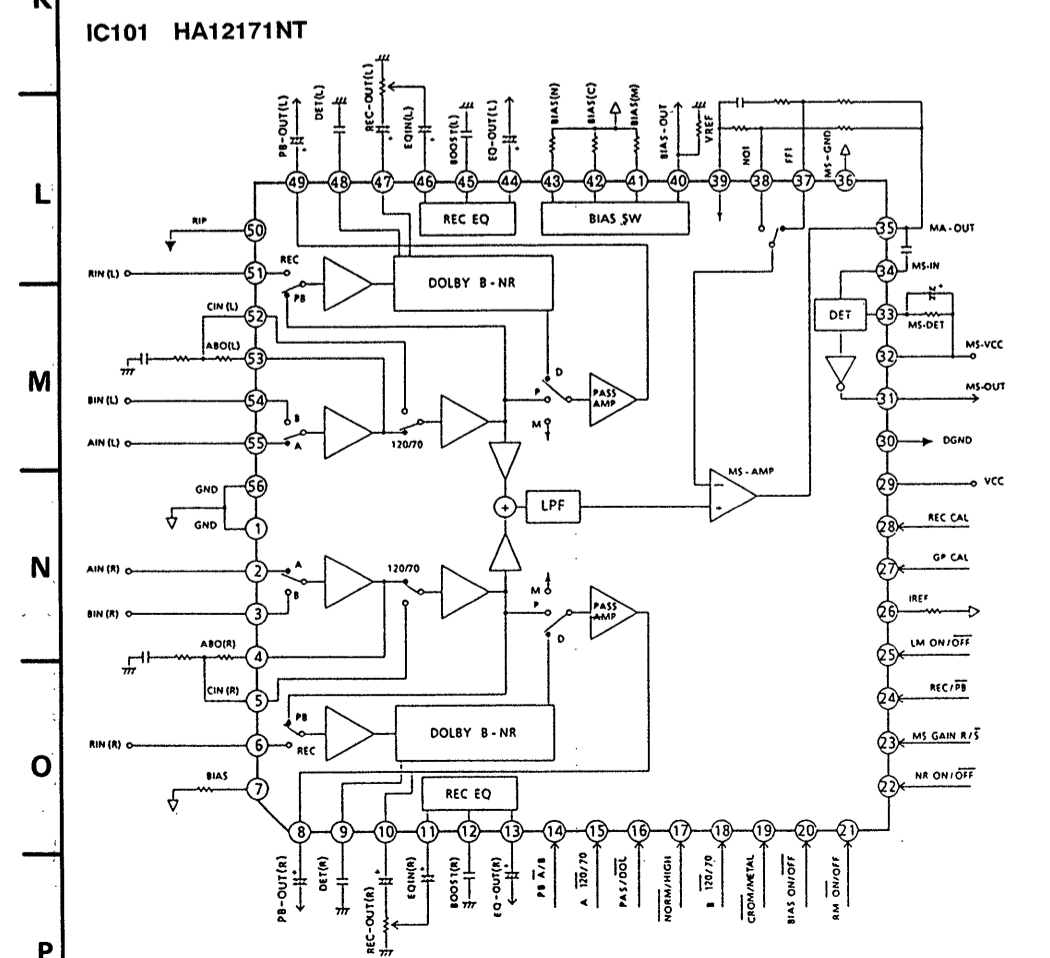
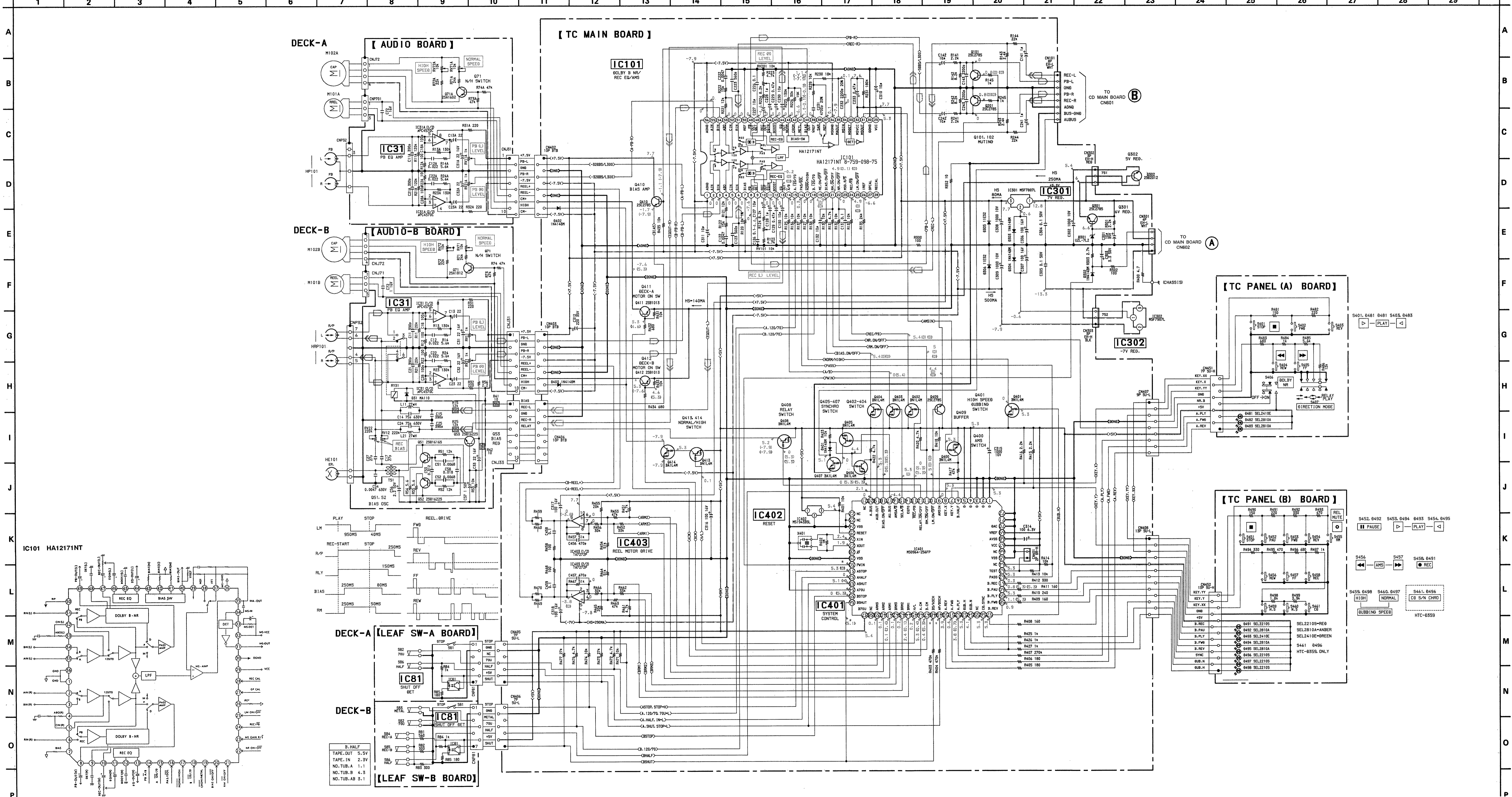
Ref. No.	Location
D101	G-3
D504	H-16
D505	H-16
D506	H-16
D507	F-14
D508	G-15
D607	K-18
D601	K-18
D602	K-16
D603	J-15
D607	I-13
D608	H-16
D701	B-15
D702	B-15
D703	B-15
D704	B-15
D705	E-8
D706	D-8
D707	B-11
D708	D-9
D709	D-9
D710	D-9
D711	D-9
D712	B-11
D801	I-18
IC101	I-2
IC102	H-2
IC103	G-2
IC500	H-17
IC501	I-16
IC502	C-11
IC503	G-13
IC504	G-16
IC505	K-16
IC506	H-13
IC507	H-14
IC701	B-13
Q101	I-3
Q500	H-16
Q501	H-17
Q502	G-14
Q503	G-14
Q504	G-15
Q505	H-15
Q506	H-15
Q507	H-15
Q508	H-15
Q600	F-16
Q601	F-16
Q602	J-16
Q605	H-14

**Note on Schematic Diagram:**

- All capacitors are in  $\mu\text{F}$  unless otherwise noted. pF:  $\mu\text{F}$  50 WV or less are not indicated except for electrolytics and tantalums.
- All resistors are in  $\Omega$  and  $\frac{1}{4}$  W or less unless otherwise specified.

Note: The components identified by mark  $\Delta$  or dotted line with mark  $\Delta$  are critical for safety. Replace only with part number specified.

- : B + Line.
- - -: B - Line.
- : adjustment for repair.
- ⊕: Voltages and waveforms are dc with respect to ground under no-signal (detuned) conditions. no mark :CD PLAY (COMMON)
- ( ) : DECK A PB
- << >> : DECK B PB
- Voltages are taken with a VOM (10 M $\Omega$ /V). Voltage variations may be noted due to normal production tolerances.
- Signal path.
- ⊠ : CD
- : PB (DECK B)
- ◻ : REC (DECK B)



**Note on Schematic Diagram:**

- All capacitors are in  $\mu\text{F}$  unless otherwise noted.  $\mu\text{F}$ :  $\mu\text{F}$  50 WV or less are not indicated except for electrolytics and tantalums.
- All resistors are in  $\Omega$  and  $\frac{1}{4}$  W or less unless otherwise specified.

**Note:** The components identified by mark  $\Delta$  or dotted line with mark  $\Delta$  are critical for safety. Replace only with part number specified.

- : B + Line.
- : B - Line.
- : adjustment for repair.
- Volts and waveforms are dc with respect to ground under no-signal (detuned) conditions. no mark : REC (COMMON)
- ◀: DECK A PB
- ▶: DECK B PB
- Volts are taken with a VOM (10 MQ $\Omega$ ). Voltage variations may be noted due to normal production tolerances.
- Signal path.
- ◻: CD
- ◻: PB (DECK B)
- ◻: REC (DECK B)

# PRINTING THE SERVICE MANUAL

The PDF of this service manual is not designed to be printed from cover to cover. The pages vary in size, and must therefore be printed in sections based on page dimensions.

## NON-SCHEMATIC PAGES

Data that does NOT INCLUDE schematic diagrams are formatted to 8.5 x 11 inches and can be printed on standard letter-size and/or A4-sized paper.

## SCHEMATIC DIAGRAMS

The schematic diagram pages are provided in two ways, full size and tiled. The full-sized schematic diagrams are formatted on paper sizes between 8.5" x 11" and 18" x 30" depending upon each individual diagram size. Those diagrams that are LARGER than 11" x 17" in full-size mode have been tiled for your convenience and can be printed on standard 11" x 17" (tabloid-size) paper, and reassembled.

### TO PRINT FULL SIZE SCHEMATIC DIAGRAMS

---

If you have access to a large paper plotter or printer capable of outputting the full-sized diagrams, output as follows:

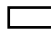
- 1) Note the page size(s) of the schematics you want to output as indicated in the middle window at the bottom of the viewing screen.
- 2) Go to the File menu and select Print Set-up. Choose the printer name and driver for your large format printer. Confirm that the printer settings are set to output the indicated page size or larger.
- 3) Close the Print Set Up screen and return to the File menu. Select "Print..." Input the page number of the schematic(s) you want to print in the print range window. Choose OK.

### TO PRINT TILED VERSION OF SCHEMATICS

---

Schematic pages that are larger than 11" x 17" full-size are provided in a 11" x 17" printable tiled format near the end of the document. These can be printed to tabloid-sized paper and assembled to full-size for easy viewing.



If you have access to a printer capable of outputting the tabloid size (11" x 17") paper, then output the tiled version of the diagram as follows:

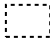
- 1) Note the page number(s) of the schematics you want to output as indicated in the middle window at the bottom of the viewing screen.
- 2) Go to the File menu and select Print Set-up. Choose the printer name and driver for your printer. Confirm that the plotter settings are set to output 11" x 17", or tabloid size paper in landscape (  ) mode.
- 3) Close the Print Set Up screen and return to the File menu. Select "Print..." Input the page number of the schematic(s) you want to print in the print range window. Choose OK.

### TO PRINT SPECIFIC SECTIONS OF A SCHEMATIC

---

To print just a particular section of a PDF, rather than a full page, access the Graphics Select tool in the Acrobat Reader tool bar.

- 1) To view the Graphics Select Tool, press and HOLD the mouse button over the Text Select Tool which looks like: . This tool will expand to reveal additional tools. Choose the Graphics Select tool by placing the cursor over the button on of the far right that looks like: 
- 2) After selecting the Graphics Select Tool, place your cursor in the document window and the cursor will change to a plus (+) symbol. Click and drag the cursor over the area you want to print. When you release the mouse button, a marquee (or dotted lined box) will be displayed outlining the area you selected.
- 3) With the marquee in place, go to the file menu and select the "Print..." option. When the print window appears, choose the option under the section called "Print Range" which says "Selected Graphic".

Select OK and the output will print only the area that you outlined with the marquee. 

(continued >)