

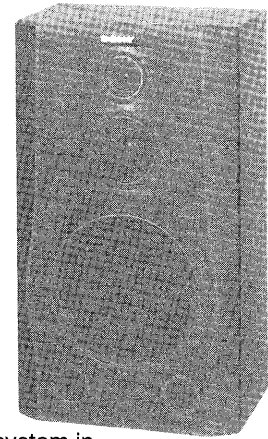
SS-D170

SERVICE MANUAL

SPECIFICATIONS

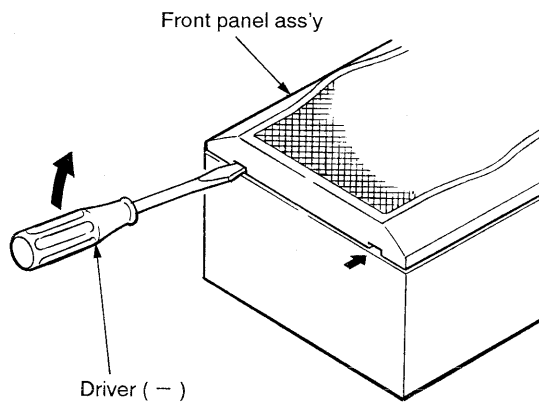
Speaker system	3 way
Mass	Approx. 4.3 kg per speaker
Dimension	Approx. 260 × 450 × 180 mm (w/h/d, including projections)

*US Model
Canadian Model
E Model
Australian Model
PX Model*



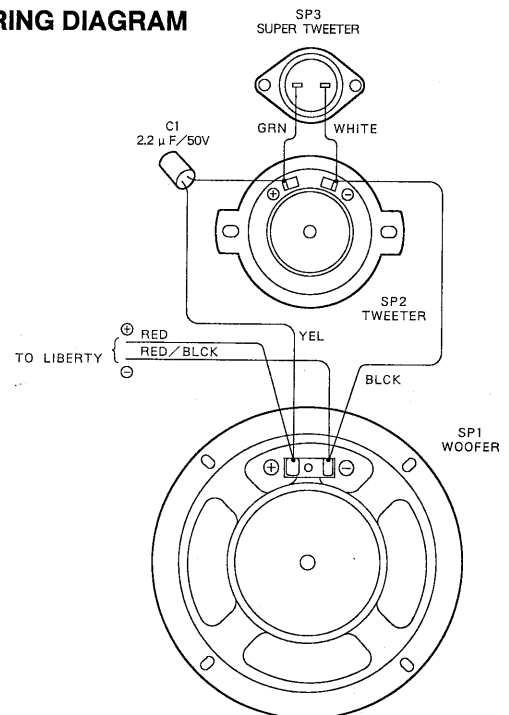
1. DISASSEMBLY

FRONT PANEL ASSEMBLY



This set is the speaker system in
(LBT-D2220/D220CD/D259CD/A270CD/A11/A11K/A17CD/
A17CDM)

2. WIRING DIAGRAM

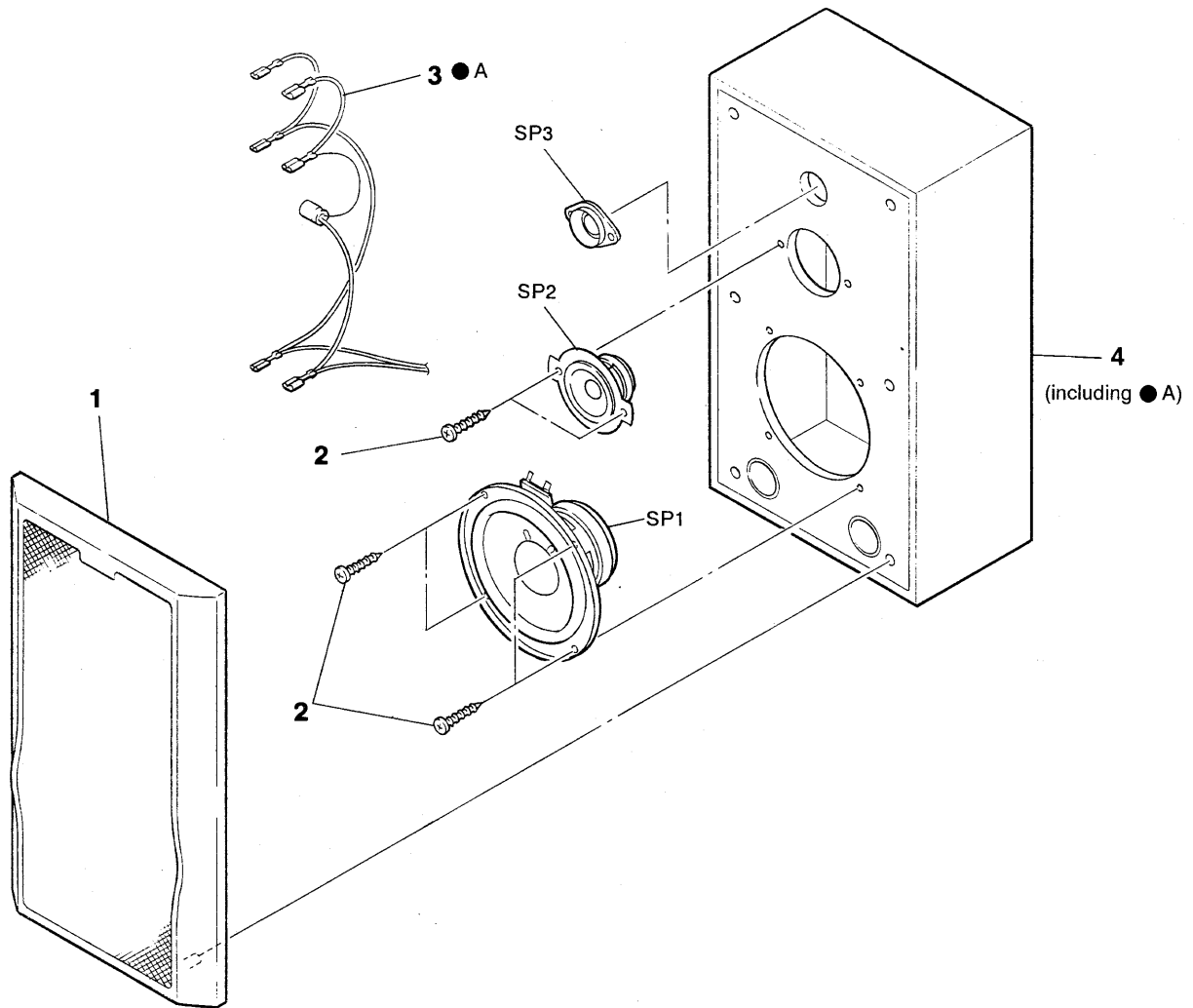


SPEAKER SYSTEM
SONY®

3. EXPLODED VIEW AND PARTS LIST

NOTE:

- -XX, -X mean standardized parts, so they may have some difference from the original one.
- Color Indication of Appearance Parts
Example:
KNOB, BALANCE (WHITE) . . . (RED)
 ↑ ↑
 Parts color Cabinet's color
- Items marked " * " are not stocked since they are seldom required for routine service. Some delay should be anticipated when ordering these items.
- The mechanical parts with no reference number in the exploded views are not supplied.



Ref. No.	Part No.	Description	Remark
1	X-4943-134-1	PANEL ASSY, FRONT	
2	4-874-614-61	SCREW (M3.5x16) TAPPING	
3	1-575-696-11	CORD, SPEAKER (WITH (C))	
* 4	X-4943-135-1	CABINET ASSY, SPEAKER	
SP1	1-544-451-11	SPEAKER (16CM) (WOOFER)	
SP2	1-544-452-21	SPEAKER (6CM) (TWEETER)	
SP3	1-544-453-21	SPEAKER (2CM) (SUPER TWEETER)	